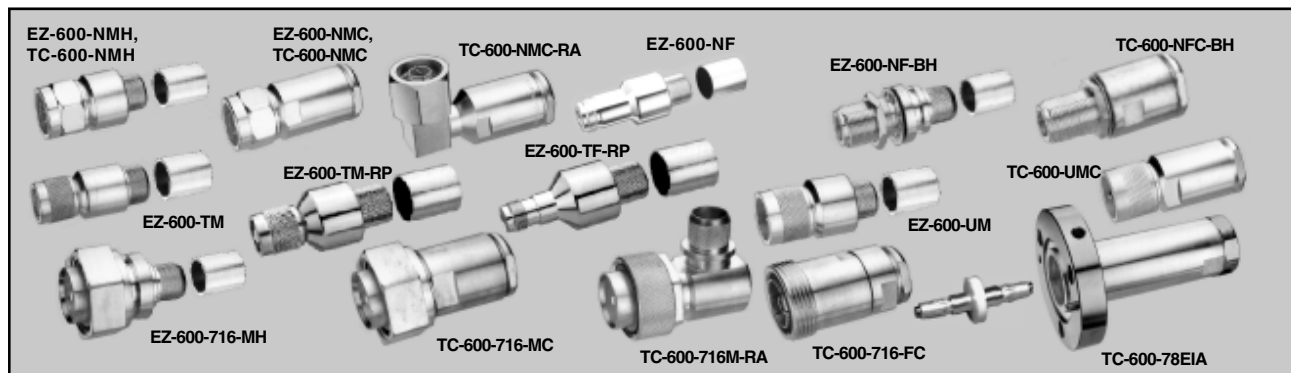


LMR-600 Flexible Communications Cable

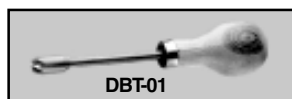
TIMES MICROWAVE SYSTEMS
A Smiths Industries company
358 Hall Ave., Wallingford, CT, 06492-5039 U.S.A.
Phone: 203-949-8400 Fax: 203-949-8423



Connectors

Interface	Description	Part Number	Stock Code	Coupling Nut	Inner Contact Attachment	Outer Contact Attachment	Finish* Body/Pin	Length in	Length mm	Width in	Width mm
N Male	Straight Plug	EZ-600-NMH	3190-271	Hex	Spring Finger	Crimp	S/G	2.1	53	0.92	23.4
	Straight Plug	TC-600-NMH	3190-208	Hex	Solder	Crimp	S/G	2.1	53	0.92	23.4
	Straight Plug	EZ-600-NMC	3190-355	Hex	Spring Finger	Clamp	S/G	2.1	53	0.92	23.4
	Straight Plug	TC-600-NMC	3190-357	Hex	Solder	Clamp	S/G	2.1	53	0.92	23.4
	Right Angle	TC-600-NMC-RA	3190-233	Hex	Solder	Clamp	S/G	2.1	53	0.92	23.4
	Right Angle	EZ-600-NMH-RA	3190-762	Hex	Spring Finger	Crimp	S/G	2.1	53	0.92	23.4
N Female	Right Angle	TC-600-NMH-RA	3190-785	Hex	Solder	Crimp	S/G	2.1	53	0.92	23.4
	Straight Jack	EZ-600-NF	3190-955	NA	Spring Finger	Crimp	S/G	2.3	59	0.87	22.1
	Bulkhead Jack	EZ-600-NF-BH	3190-616	NA	Spring Finger	Crimp	S/G	2.4	61	0.88	22.4
	Bulkhead Jack	TC-600-NF-BH	3190-589	NA	Solder	Crimp	S/G	2.4	61	0.88	22.4
TNC Male	Bulkhead Jack	TC-600-NFC-BH	3190-466	NA	Solder	Clamp	S/G	2.2	56	0.94	23.9
	Straight Plug	EZ-600-TM	3190-418	Knurl	Spring Finger	Crimp	S/G	1.7	43	0.59	15.0
	Reverse Polarity	EZ-600-TM-RP	3190-796	Knurl	Spring Finger	Crimp	A/G	2.2	56	0.87	22.0
TNC Female	Reverse Polarity	EZ-600-TF-RP	3190-797	NA	Spring Finger	Crimp	A/G	2.3	58	0.87	22.0
UHF Male	Straight Plug	EZ-600-UM	3190-615	Knurl	Spring Finger	Crimp	S/G	1.7	43	0.88	22.4
	Straight Plug	TC-600-UMC	3190-213	Knurl	Solder	Clamp	S/G	1.7	43	0.88	22.4
7-16 DIN Male	Straight Plug	EZ-600-716-MH	3190-503	Hex	Spring Finger	Crimp	S/S	2.0	51	1.30	33.0
	Straight Plug	TC-600-716-MC	3190-502	Hex	Solder	Clamp	S/S	2.0	51	1.30	33.0
	Right Angle	TC-600-716M-RA	3190-395	Hex	Solder	Crimp	S/S	1.4	36	1.40	35.6
7-16 DIN Female	Straight Jack	TC-600-716-FC	3190-375	NA	Solder	Clamp	S/S	1.1	28	1.00	25.4
7/8 EIA	Flange	TC-600-78EIA	3190-321	NA	Solder	Clamp	S/S	2.3	58	2.60	66.0

* Finish metals: N=Nickel, S=Silver, G=Gold, SS=Stainless Steel, A=Alballoy



Accessories

Tool Type	Part Number	Stock Code	Description
Crimp Tool	HX-4	3190-200	Crimp Handle
Crimp Dies	Y1720	3190-203	.610" Hex Dies
Crimp Rings	CR-600	3190-831	Crimp Rings for TC/EZ-600 connectors (pkg of 10)
Strip Tool	ST-600C	3190-230	For Clamp Style Connectors
Strip Tool	ST-600EZ	3190-310	For Crimp Style Connectors
Deburr Tool	DBT-01	3190-406	For 'EZ' Style Connectors
Midspan Strip Tool	GST-600A	3190-1051	For ground strap attachment
Ground Kit	GK-S600T	GK-S600T	Standard Grounding Kit (each)
Hoisting Grip	HG-600T	HG-600T	Split/Laced Type (each)
Cold Shrink	CS-A600T	CS-A600T	Cable to Antenna Junction (each)
Cold Shrink	CS-60120T	CS-60120T	LMR-600 to -1200 Junction (each)
Cold Shrink	CS-60170T	CS-60170T	LMR-600 to -1700 Junction (each)
Hanger Blocks	CB-600T	CB-600T	Dual Cable Support Block (kit of 10)
Hanger Block Hardware	Complete Range of Supporting Hardware & Adapters Available		
Snap-In Hangers	SH-U600T	SH-U600T	Snap-In Hangers (Kit of 10)